

Nicholas Marochkin

I and artificial intelligence: common in different behavior of different people

Experiments, models,
algorithms

Nicholas Marochkin

**I and artificial intelligence:
common in different
behavior of different people.
Experiments, models, algorithms**

«Издательские решения»

Marochkin N.

I and artificial intelligence: common in different behavior of different people. Experiments, models, algorithms / N. Marochkin — «Издательские решения»,

ISBN 978-5-00-517243-3

For man artificial intelligence symbiosis it is important moving activity control. It is importantly calculate moving activity forecast and important dependence. Symbiosis becomes not only desired but required.

I and artificial intelligence: common in different behavior of different people

Experiments, models, algorithms

Nicholas Marochkin

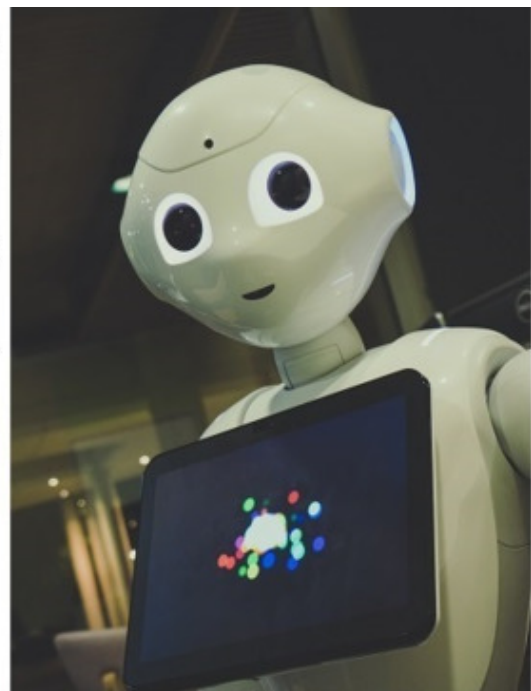
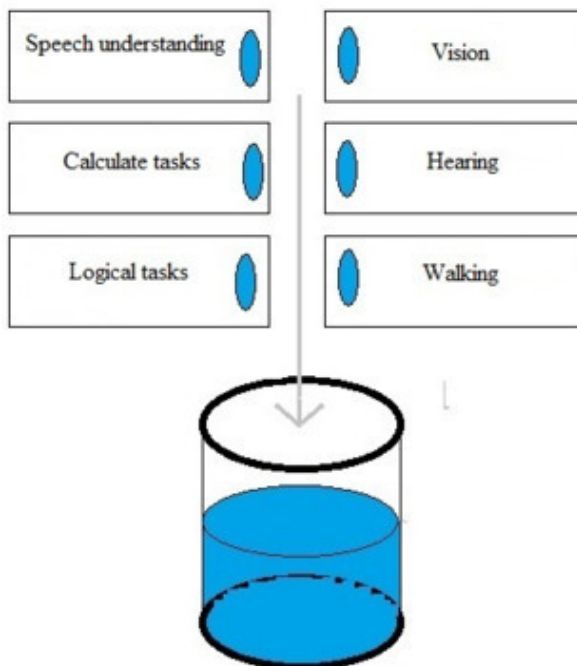
© Nicholas Marochkin, 2020

ISBN 978-5-0051-7243-3

Created with Ridero smart publishing system

Everywhere on the step of technical systems developing human operator is modeling. That is possible, because human behavior is determining by system target. But modeling human behavior in every day life is nearly impossible. There is something common in different behavior of different people. This gives the chance. The common is in link between personal moving activity and his subjective health mark. If artificial intelligence can be able to determine person subjective health mark it can be more near to person. Man-computer symbiosis will be more realistic.

Artificial intelligence includes human properties. It looks like filled by drops of human properties bottle. It is not full today, but it will be full soon. I am feeling that, because the personal computers became more available, because I can modeling at home without any computer center, because we use the electronic sets for sport, rest, home more actively. The good of that is different, because we are various. The common in different will help everybody to decide what and whom electronic gadgets are good and healthful.



Artificial intelligence

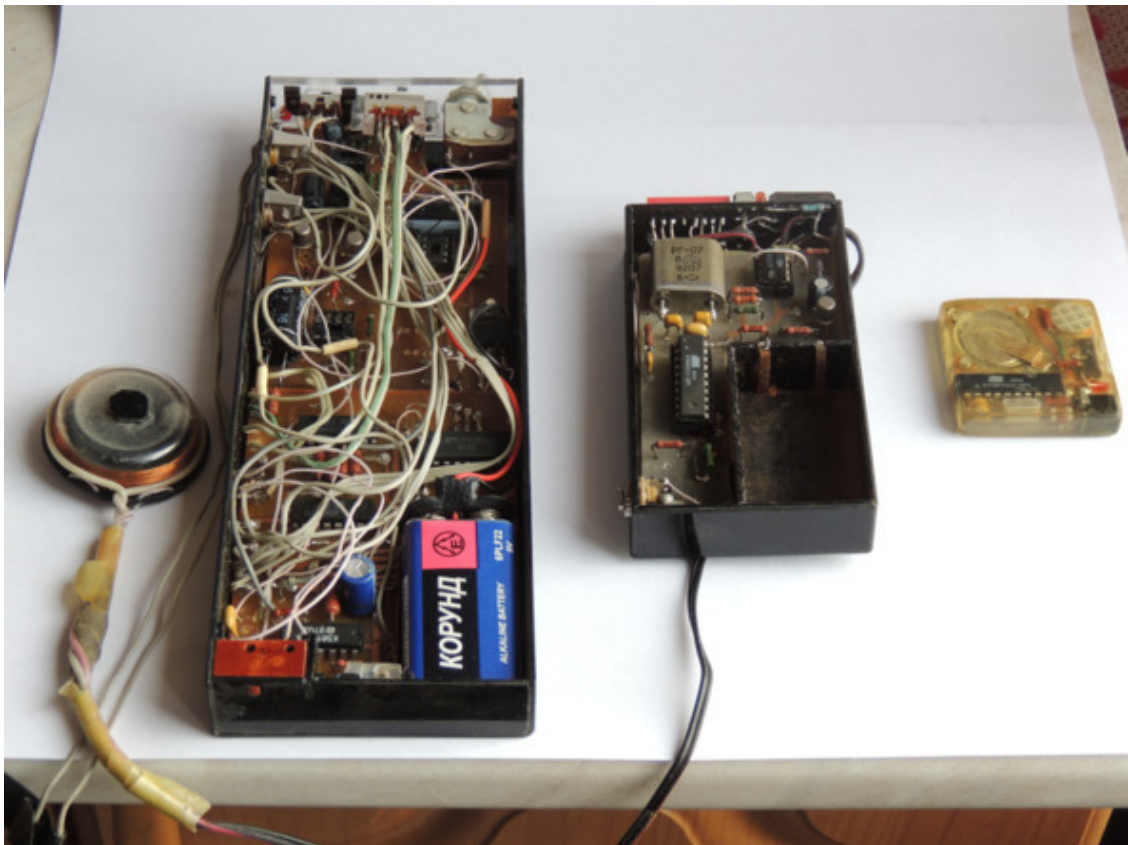
Search of the common.

I understand it is needs everybody mathematical model to improve everybody life.

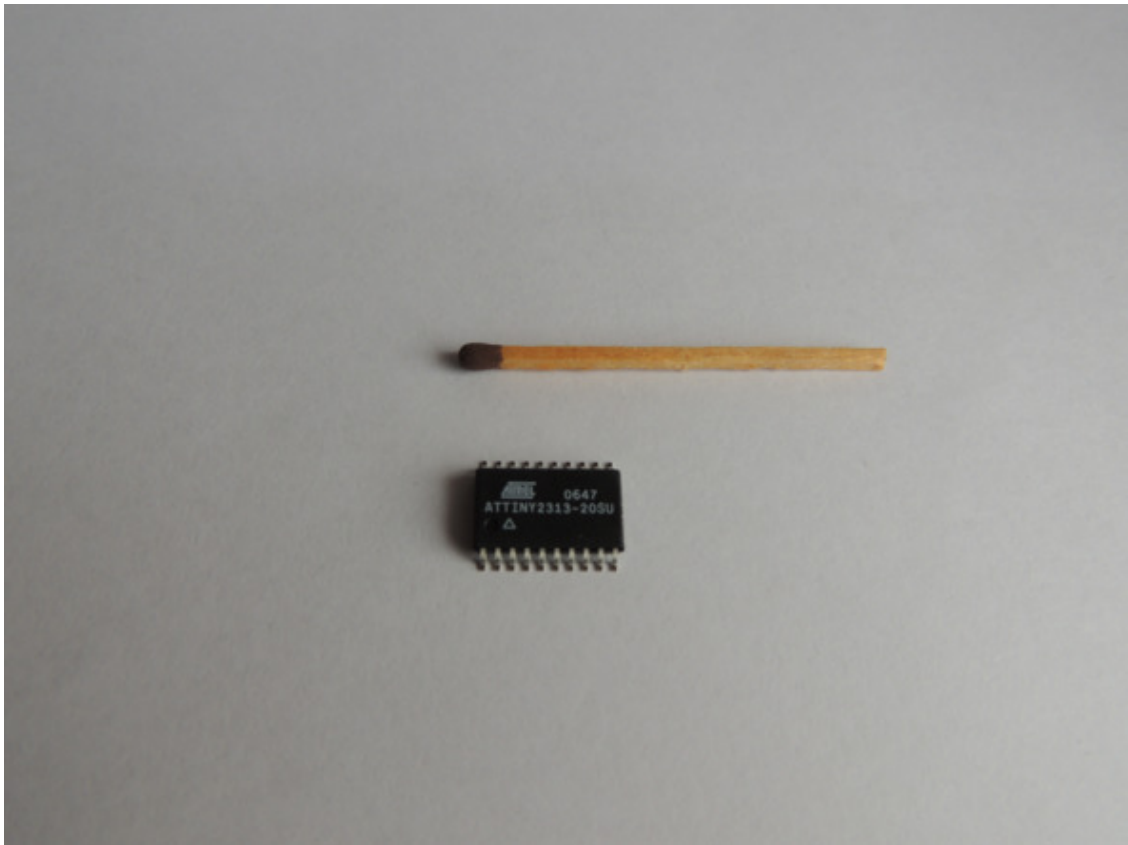
There are many simple and complicated mathematical models and methods and methodizes. But in this instance it is near imposing. Because it is not clearly what are input and output. In this unusual case I must to sum up. I decided that input is subjective mark of spend day. Everybody can say spend day was normal as usually or it was easier or it was hardly. Usual days are used as basis. Lets subjective mark of spend day is input, what is output? In this unusual case I must to sum up father.

Output is all everybody life activity. It includes reflections, speech, motions. Moving activity is most part of life activity, change body, arms, legs location.

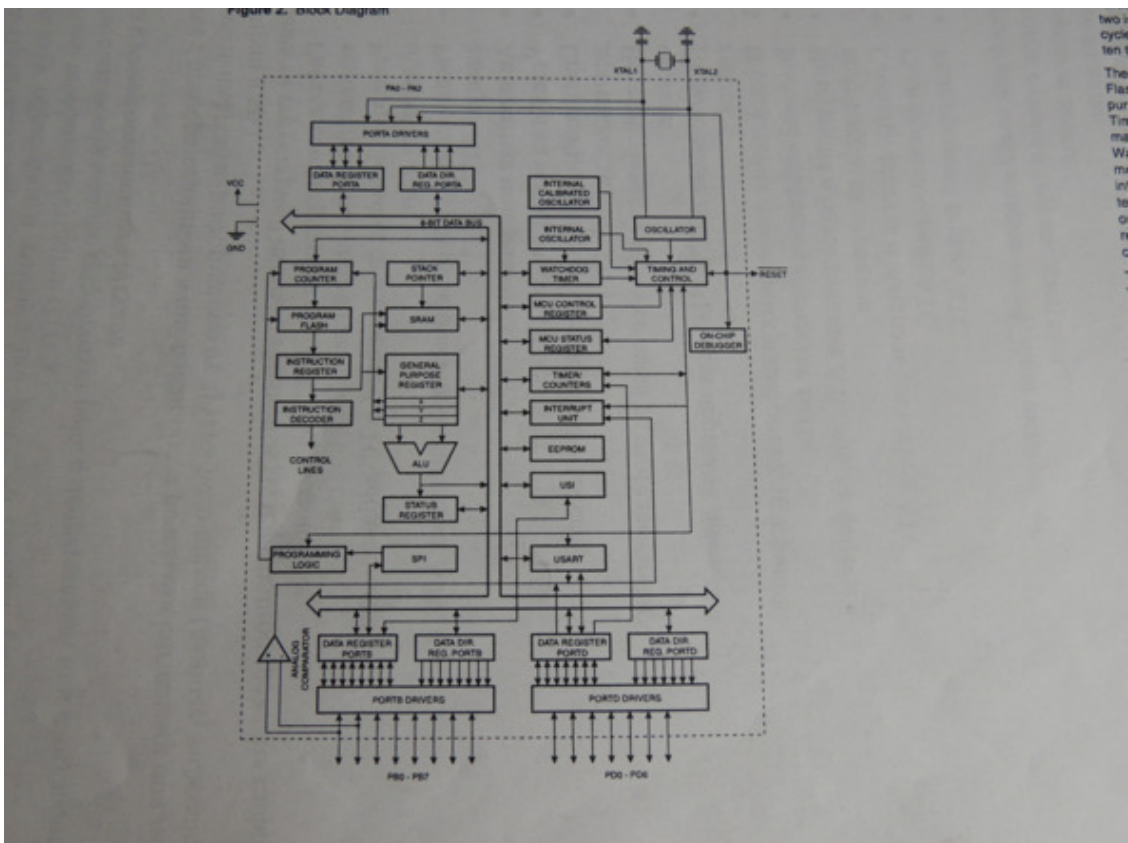
That is characteristic he is alive. Now I start to create electronic set to register person moving activity. It was not pedometer, because it registered sequentially by the time. I gave it the name measuring moving activity device (mmad).



Pict. Measuring moving activity device (mmad), the smaller two mmad microcontroller used.
Viva artificial intelligence!



Pict. Microcontroller Attiny2313, “little”.



Pict. Attiny 2313 block scheme.

My knowing with electronic was organized by two radio engineers Bondarchuk A., Ivanchenko S. many years ago. Thanks them. The first (mmad) device included sensitive element – spool with magnetic little ball, analog comparator, memory chip, sequentially port link chip, discrete elements and part of my heart.

Through some time they were realized in one microcontroller. I was glad. It is here on the picture, brain, “little”.

Viva artificial intelligence! Of course, technical capabilities give possibility not only to dream but operate. Is artificial intelligence helps me? Yes, of course.

Конец ознакомительного фрагмента.

Текст предоставлен ООО «ЛитРес».

Прочитайте эту книгу целиком, [купив полную легальную версию](#) на ЛитРес.

Безопасно оплатить книгу можно банковской картой Visa, MasterCard, Maestro, со счета мобильного телефона, с платежного терминала, в салоне МТС или Связной, через PayPal, WebMoney, Яндекс.Деньги, QIWI Кошелек, бонусными картами или другим удобным Вам способом.